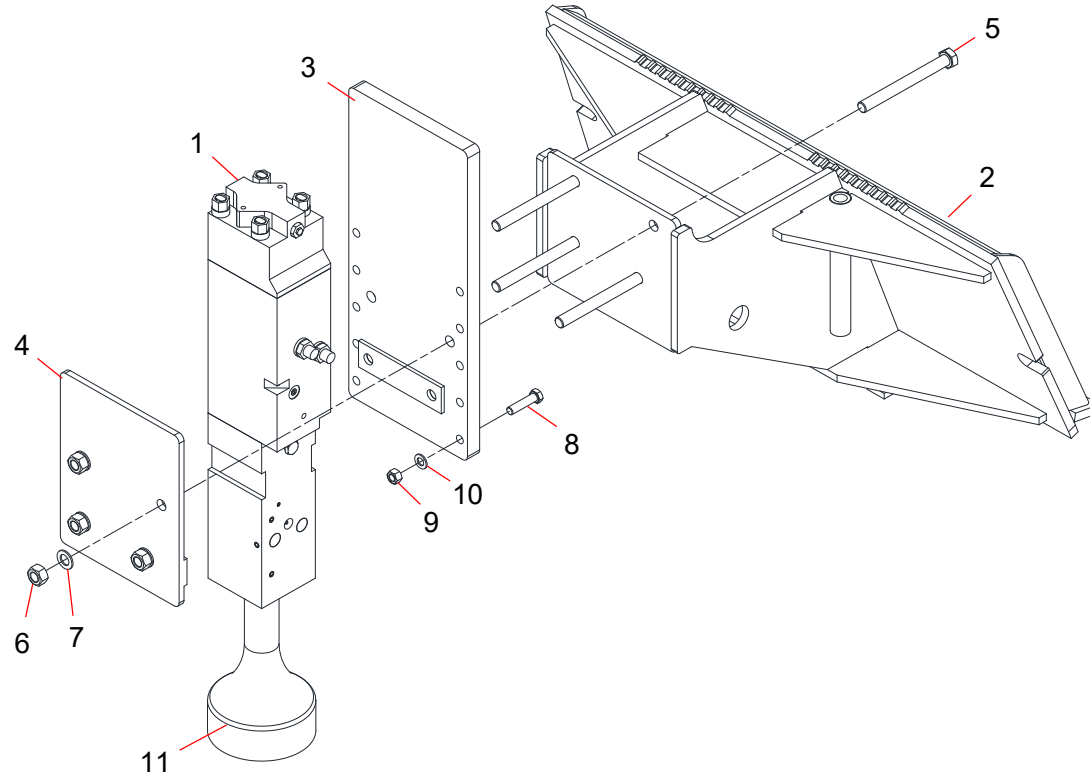


TNB-4M POST DRIVER



Parts

Item	Part No.	Description	Q'ty	Int	Kit
1	515116	Bare Breaker, 4M	1		
2	CB-PD-4M	Common Bed CP	1		
3					
4					
5	BLT-M22-220	Bolt	4		
6	NUT-M22	NUT	4		
7	WASHER-M22	Washer	4		
8	BLT-M16	*Bolt M16-65	10		
9	NUT-M16	*Nut M16	10		
10	WASHER-M16	*Washer M16	10		
11	N/A	Driver Tool	1		
12	SGH-2081	Hose	1		
13	SGH-2091	Hose	1		

Post Driver Tool (Item #11) available in different sizes

For Decal and/or Tool Box information, please contact your Dealer

INT(interchangeability)

○ Interchangeable old ↔ new

△ Interchangeable old → new

▲ Interchangeable old ← new

× Not interchangeable